

3.5W Ultra Low-EMI Anti-Clipping Mono Class D Audio Power Amplifier

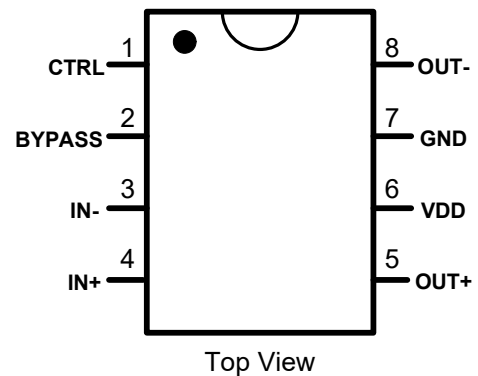
FEATURE

- Patented technology (EDMA) to reduce the internal R_{dson} and heat loss, increase the output power
 $P_O=3.5\text{ W}$ ($V_{DD}=5.0\text{V}$, $R_L=4\Omega$, $\text{THD+N}=10\%$)
 $P_O=3.0\text{ W}$ ($V_{DD}=3.7\text{V}$, $R_L=2\Omega$, $\text{THD+N}=10\%$)
- Excellent EMI Suppression Performance
 - Using Patented technology (AROC, Active edge Ringing and Overshoot Control circuitry)
 - The emission level is highly lower than FCC Part15 Class B standard;
 - Without interference to FM radio, CMMB, GSM, CDMA, Bluetooth and any other sensitive modules with different bands;
 - The difficulty of system design is reduced
- $\text{THD+N}=0.05\%$ ($R_L=4\Omega$, $P_O=1\text{W}$, $f=1\text{kHz}$)
- Low noise, High SNR
- Anti-Clipping Function (ACF)
- Excellent Click-Pop Noise reduction function
- Low Shutdown Current, $0.01\mu\text{A}$
- Filter-less Modulation, Eliminating Output Filter
- Over Current Protection, Thermal Protection, Low voltage malfunction prevention function included
- Pb-Free Packages, SOP8L, SOP8L-PP, DFN8L(5mm*6mm)

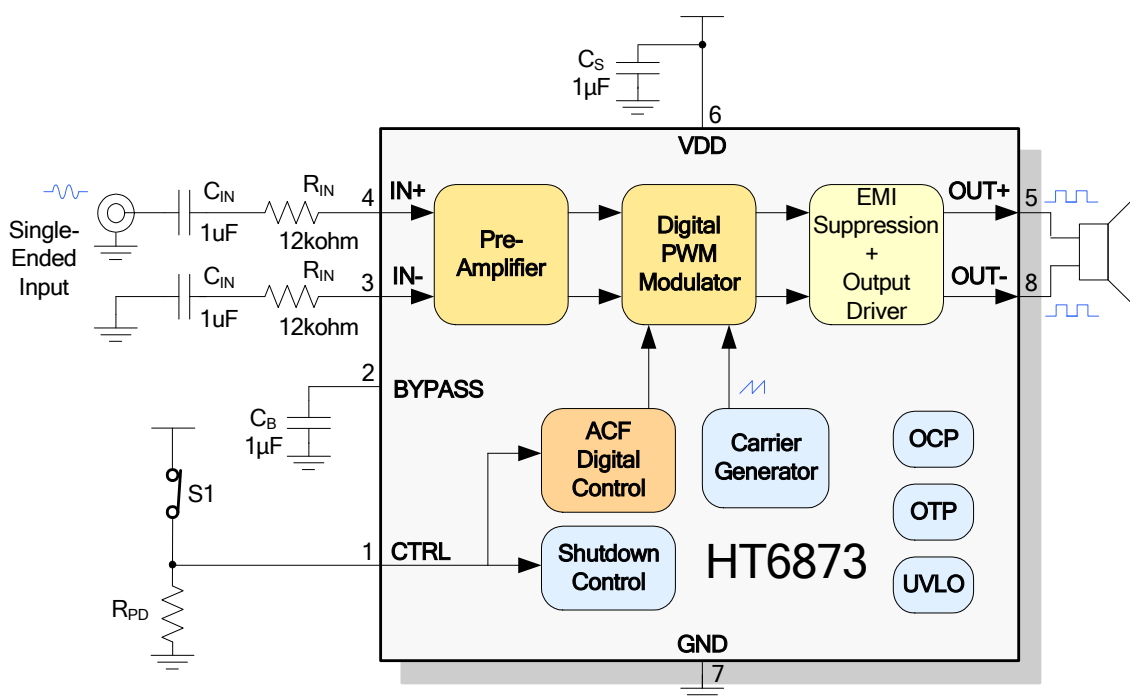
APPLICATIONS

- Bluetooth Speakers
- Portable Speakers
- 2.1 Channel Speakers
- Megaphone
- iPhone/iPad docking
- MP4/GPS
- Tablet PC/Note Book
- Smart phones
- LCD TV/Monitor
- Portable Gamers

TERMINAL CONFIGURATION



TYPICAL APPLICATION



■ TERMINAL FUNCTION ^{*1}

SOP8L/DFN8L Terminal No.	Name	I/O	ESD composition	Function
1	CTRL	A	PN	Shutdown and ACF control terminal
2	BYPASS	A	PN	Analog reference terminal
3	IN-	A	PN	Negative input terminal (differential -)
4	IN+	A	PN	Positive input terminal (differential +)
5	OUT+	O	-	Positive output terminal (differential +)
6	VDD	Power	-	Power supply
7	GND	GND	-	GND
8	OUT-	O	-	Negative output terminal (differential -)

^{*1}: Input terminal O: Output terminal A: Analog terminal
 when a voltage that is higher than the VDD potential is impressed into the terminal of PN (ESD protection circuit is composed of PMOS and NMOS), the leakage current flows through the protection circuit of PMOS.

IMPORTANT NOTICE**注意**

Jiaxing Heroic Electronic Technology Co., Ltd (HT) reserves the right to make corrections, modifications, enhancements, improvements, and other changes to its products and services at any time and to discontinue any products or services without notice. Customers should obtain the latest relevant information before placing orders and should verify that such information is current and complete.

嘉兴禾润电子科技有限公司（以下简称HT）保留对产品、服务、文档的任何修改、更正、提高、改善和其他改变，或停止提供任何产品和服务，并不提供任何通知的权利。客户在下单和生产前应确保所得到的信息是最新、最完整的。

HT assumes no liability for applications assistance or customer product design. Customers are responsible for their products and applications using HT components.

HT对相关应用的说明和协助以及客户产品的板级设计不承担任何责任。

HT products are not authorized for use in safety-critical applications (such as life support devices or systems) where a failure of the HT product would reasonably be expected to affect the safety or effectiveness of that devices or systems.

HT的产品并未授权用于诸如生命维持设备等安全性极高的应用中。

The information included herein is believed to be accurate and reliable. However, HT assumes no responsibility for its use; nor for any infringement of patents or other rights of third parties which may result from its use.

本文中的相关信息是精确和可靠的，但HT并不对其负责，也不对任何可能的专利和第三方权利的侵害负责。

Following are URLs and contacts where you can obtain information or supports on any HT products and application solutions:

下面是可以联系到我公司的相关联系方式：

嘉兴禾润电子科技有限公司**Jiaxing Heroic Electronic Technology Co., Ltd.**

地址: 浙江省嘉兴市凌公塘路3339号JRC大厦A座三层
Add: A 3rd floor, JRC Building, No. 3339, LingGongTang Road, Jiaxing, Zhejiang Province
销售/Sales: 0573-82585539
支持/Support: 0573-82586151
传真/Fax: 0573-82585078
E-mail: sales@heroic.com.cn
网址/Website: www.heroic.com.cn